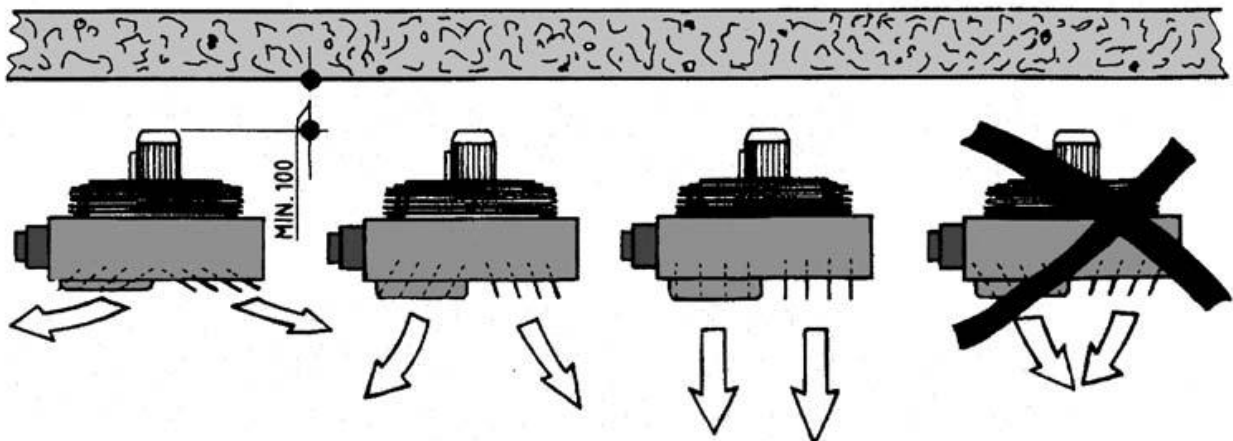
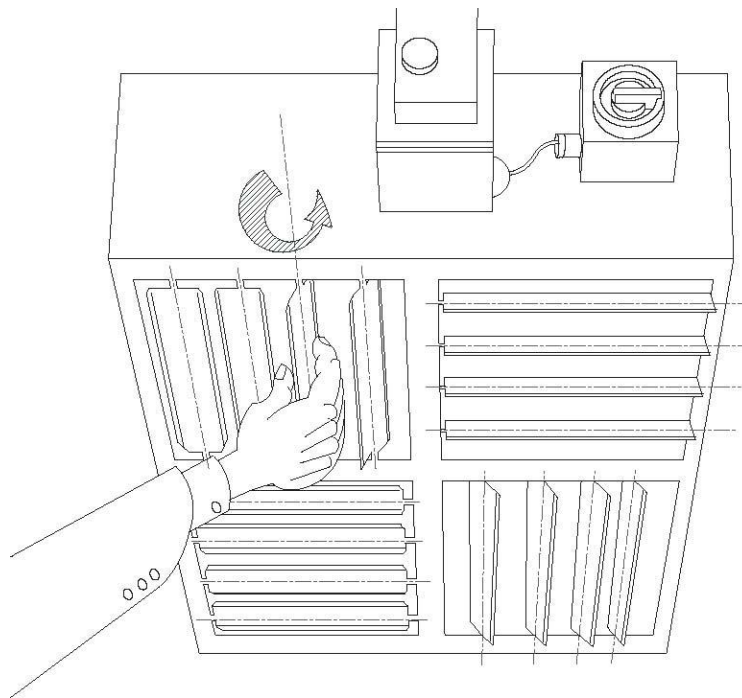
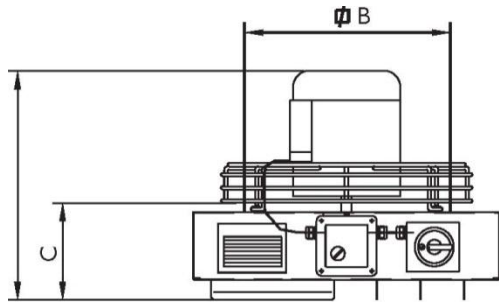


## DSU – Destratification Fan Assembly Instructions



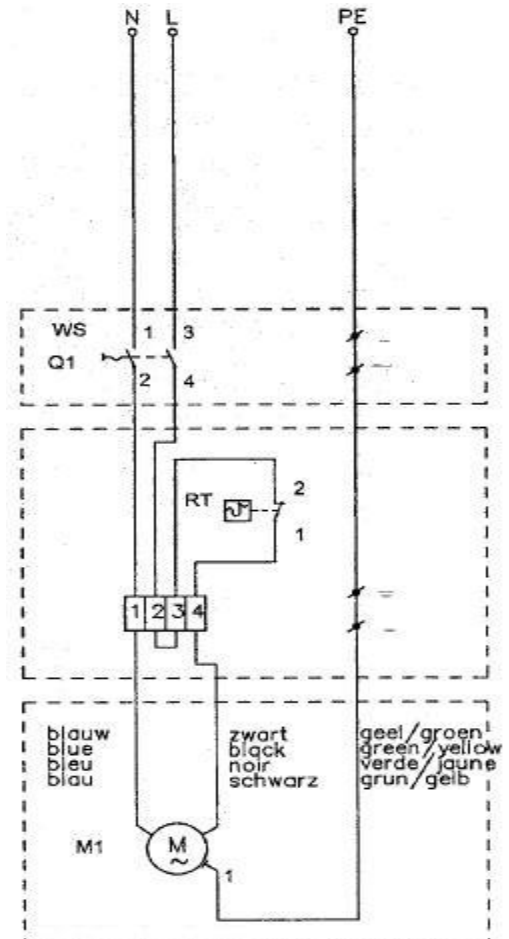
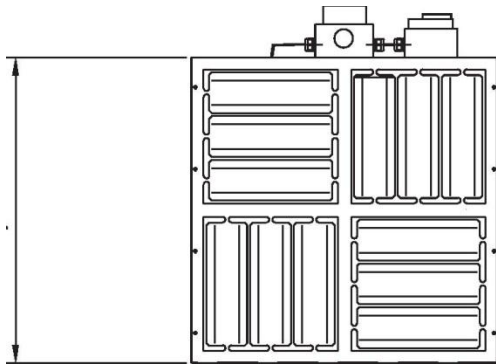


**WS (where fitted)**  
Isolator Switch

**230V 50Hz**  
Main Supply

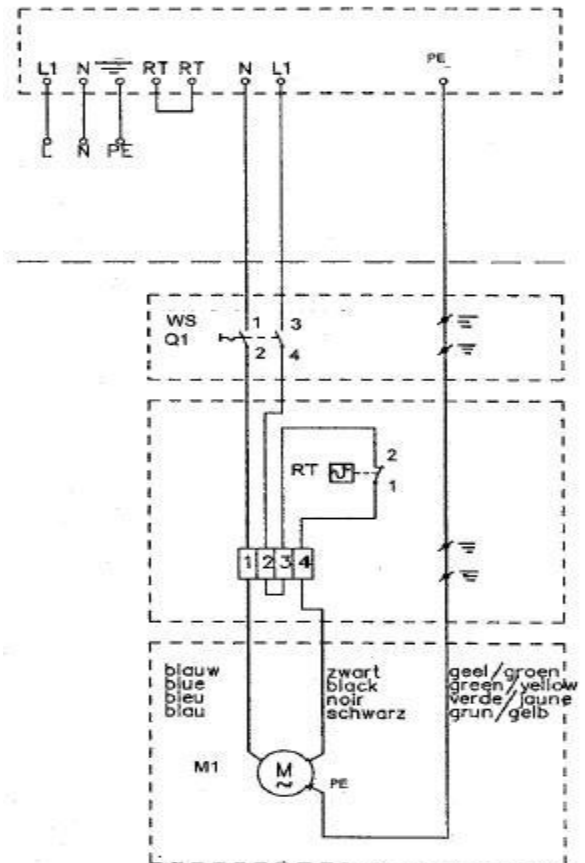
**RT**  
Room Thermostat

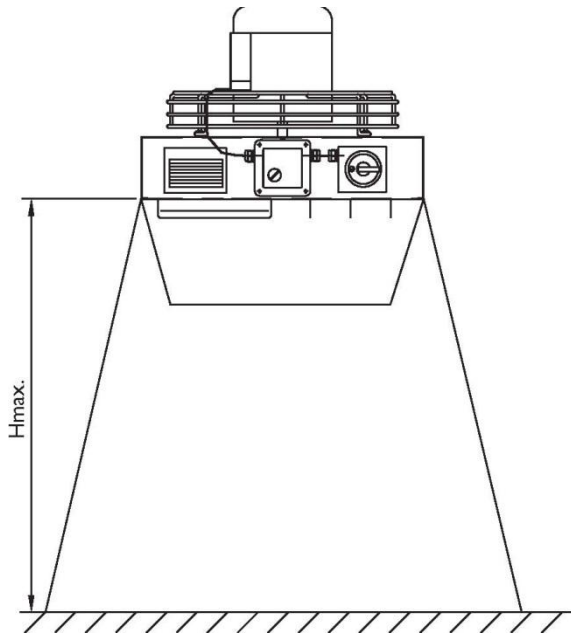
**M1**  
Blower Motor



	<b>DSU-4</b>	<b>DSU-8</b>
A mm	560	700
B mm	380	600
C mm	200	190
D mm	385	385
Kg	18	24
Q m <sup>3</sup> /h	4000	8000
Motor	50 Hz	50 Hz
Volt	230	230
Watt	200	250
A	1,2	1,55
Min-1	960	960
YF	5	5
Ip	44	44

When using an electrical junction box 6.3 A;  
the maximum load is:  
5 x DSU-4  
3 x DSU-8

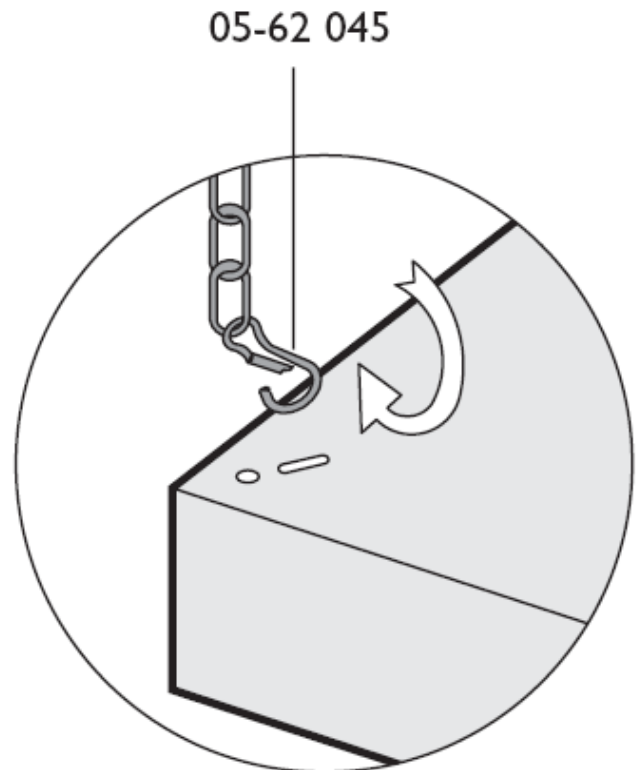




## Mounting Heights

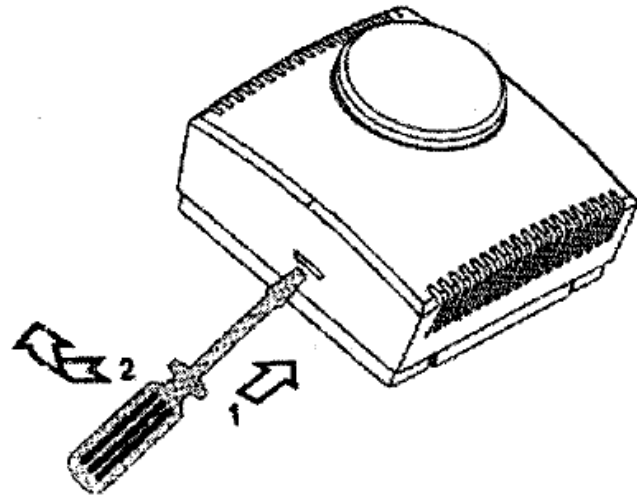
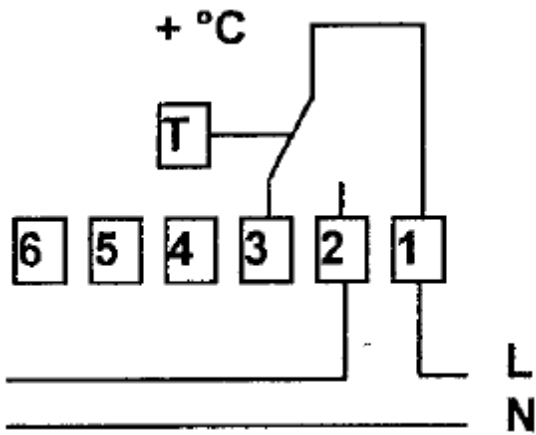
Model	Height (m)
DSU-4	4 to 7
DSU-8	7 to 12

**WS** – (where fitted)  
Isolator Switch



# RT - Room thermostat wiring

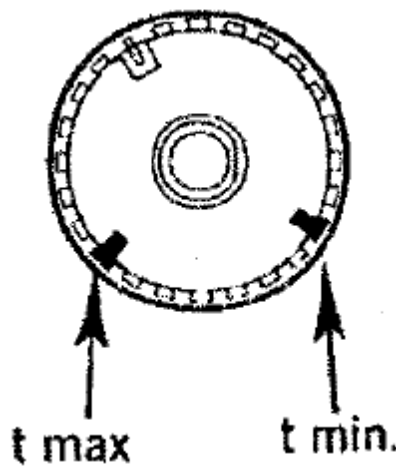
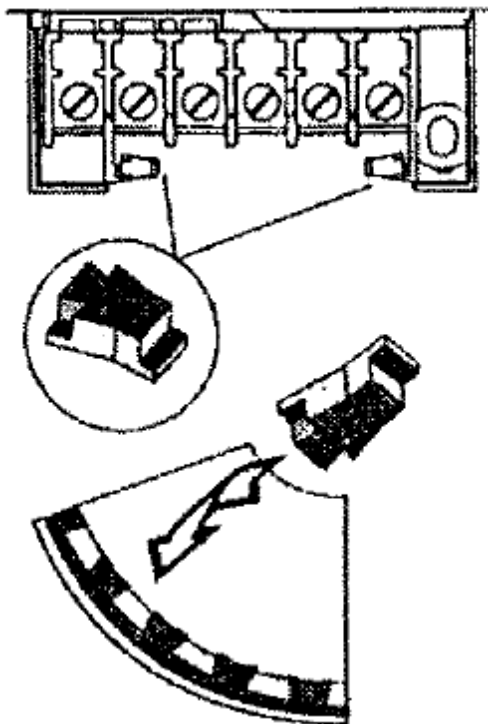
06 29 001



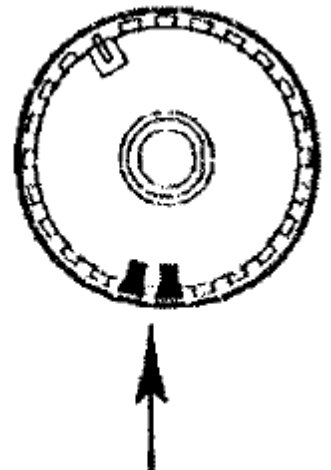
Do not remove the knob

## Temperature regulation

Setting Thermostat (°C) = Room temperature + 3 °C



Temperature Limitation



Fix temperature set-point